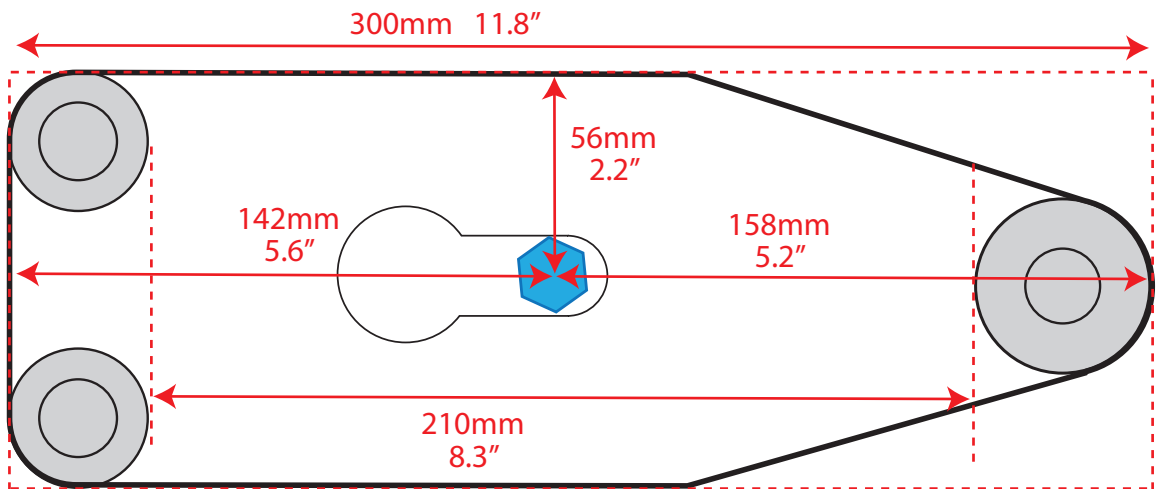
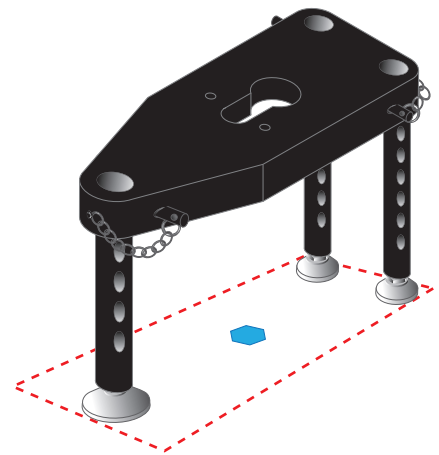
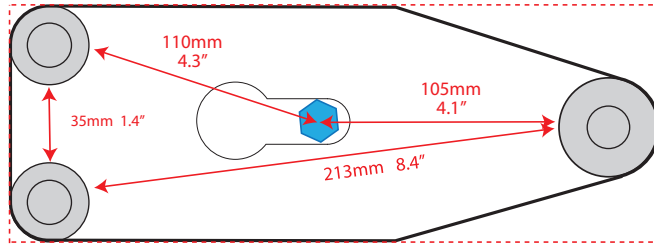
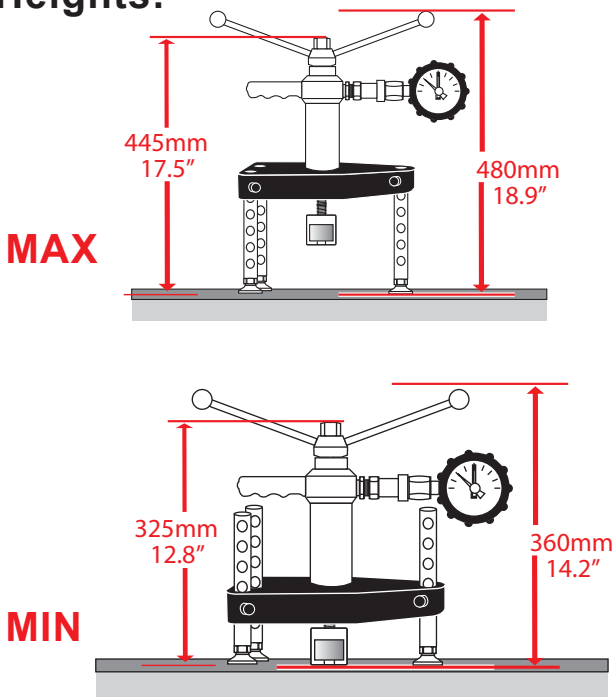


Model 2050 Bridge Footprint measurements



Heights:



For example:

